

CD300 / CD500 Controller



Controller CD300



Controller CD500

Controller for NX7500 and NV3300 Sensors

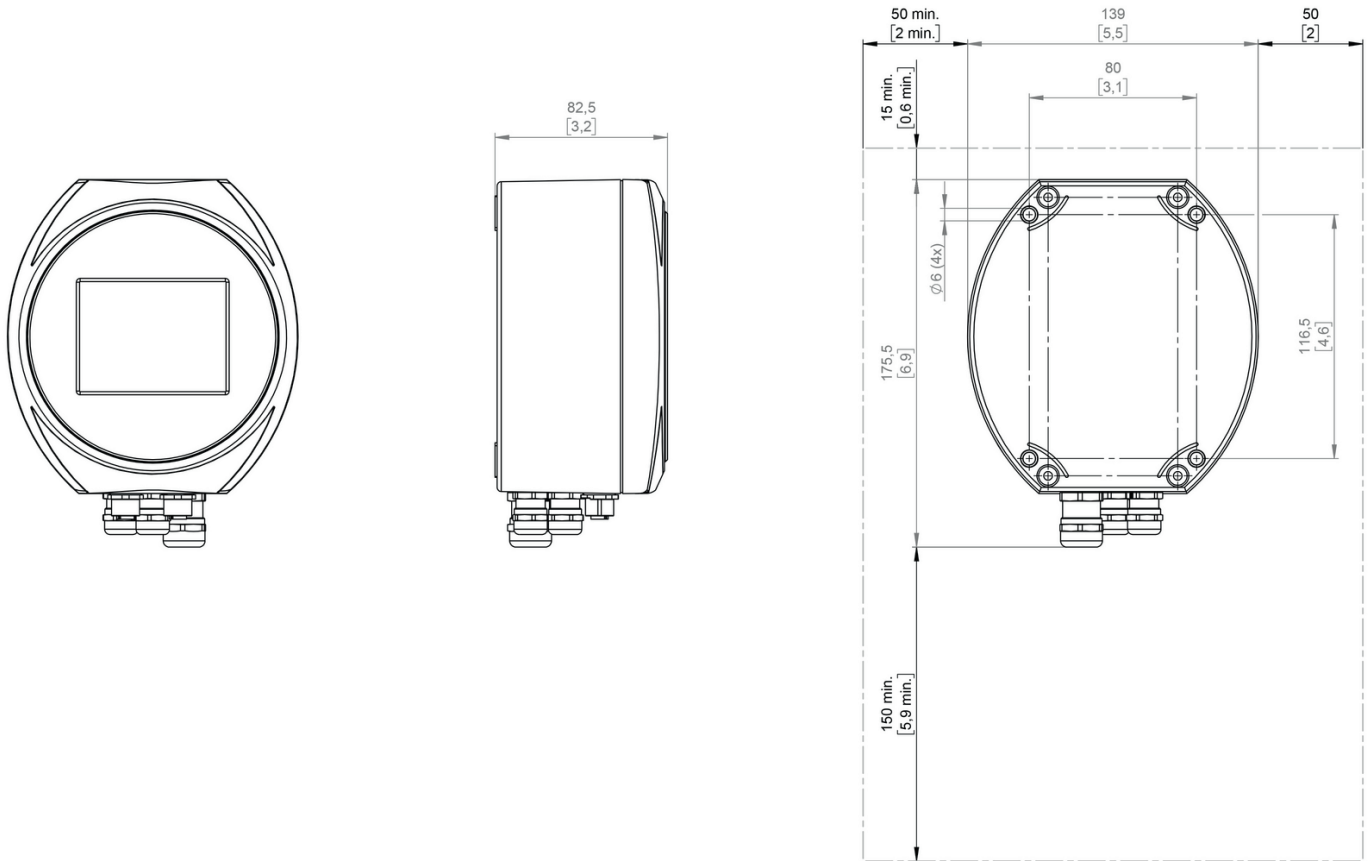
The CD300 and CD500 Controllers are suitable for all digital Hach® NX7500 UV scanning and NV3300 color sensors. Both Controllers have a high resolution LCD touch-screen for easy operation and access to the single menus. The measurement results of the sensors are individually programmable on multi-view pages which provide the operator with all important information at a glance.

The controllers can connect up to 2 (CD300) or 4 (CD500) sensors. The CD300 offers network TCP/IP, Modbus RTU server and 2 analog outputs, the CD500 network TCP/IP, Modbus RTU server and LAN, USB port and 6 analog outputs. An integrated relay can be used to initiate alarms or control external devices.

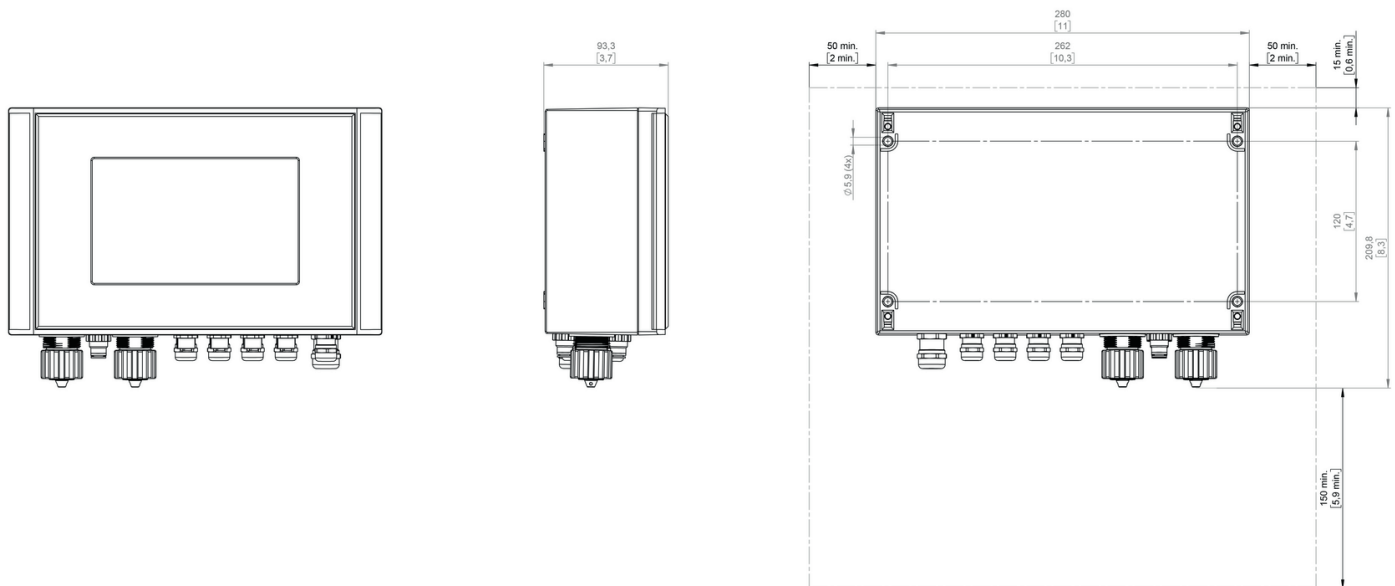
Dimensions

In millimeters (mm).

CD300 controller, up to 2 sensors



CD500 controller, up to 4 sensors



Technical Data*

Model	CD300	CD500
Dimensions (H x W x D)	150 mm x 139 mm x 80 mm	280 mm x 170 mm x 94 mm
Display	3.5" capacitive touch display	7" capacitive touch screen
Display Resolution	320 x 240 pixels	800 x 480 pixels
Weight	1.6 kg	3.7 kg (8.2 lbs.)
Sensor	2	4
Power consumption controller	Type: 2 W, max: 40 W	Type: 6 W, max: 50 W
Power Requirements (Voltage)	85 - 265 V AC, 10 - 15 V DC	85 - 265 V AC, 10 - 26 V DC
Power Requirements (Hz)	50 - 60 Hz	50 - 60 Hz
Analog Outputs	2 analog outputs, configurable 4...20 mA	6 analog outputs, configurable 4...20 mA
Relays	1 x relay switching contact (SPDT) (250 VAC, 2 A)/(30 VDC, 2 A) Max. 2.5 mm ² (AWG14)	
Protocol	RS232, RS485, Modbus RTU, Modbus TCP	
Material	Housing: Aluminium die-cast alloy Front panel: acrylic glass (PMMA)	
Enclosure Rating	IP65	
Mounting Configurations	Wall, pole and rail mounting	
Operating Temperature Range	-10 - 50 °C (without power cable)	
Electrical Certifications	EMC / CE	

*Subject to change without notice.

Order Information

Controller

LXZ529.99.0001A	CD300 controller, 2 sensors
LXZ529.99.A002A	CD500 Controller, 4 sensors

Accessories

LZX958	SC1000 Sun shield
LXZ529.99.00027	Adapter plate, sun shield for controller

Hach World Headquarters: Loveland, Colorado USA

United States: 800-227-4224 tel 970-669-2932 fax orders@hach.com

Outside United States: 970-669-3050 tel 970-461-3939 fax int@hach.com

hach.com

Printed in U.S.A.

©Hach Company, 2018. All rights reserved.

In the interest of improving and updating its equipment, Hach Company reserves the right to alter specifications to equipment at any time.

