

EZ3000 Series Fluoride Analysers

Applications

- Drinking water
- Surface water



Online ion-selective Fluoride measurements in industrial and environmental applications

ISE technology for optimal analytical performance

With limited maintenance requirements and reduced reagent consumption, the EZ3000 Series are the ideal choice for a wide range of water monitoring applications where ion-selective electrodes are the preferred analytical technique. Outstanding precision and stability is guaranteed by the temperature-controlled measurement.

Direct, discontinuous ISE method

The EZ3000 Series uses discontinuous ISE analysis which enhances control over conversion of ion activity to electric potential. It also eliminates risk of cross-contamination between cycles and reduces overall reagents consumption.

The EZ3007 Fluoride Analysers combine unique technology with a set of analysis, control and communication features in an industrial analyser mainframe with designed for the highest performance:

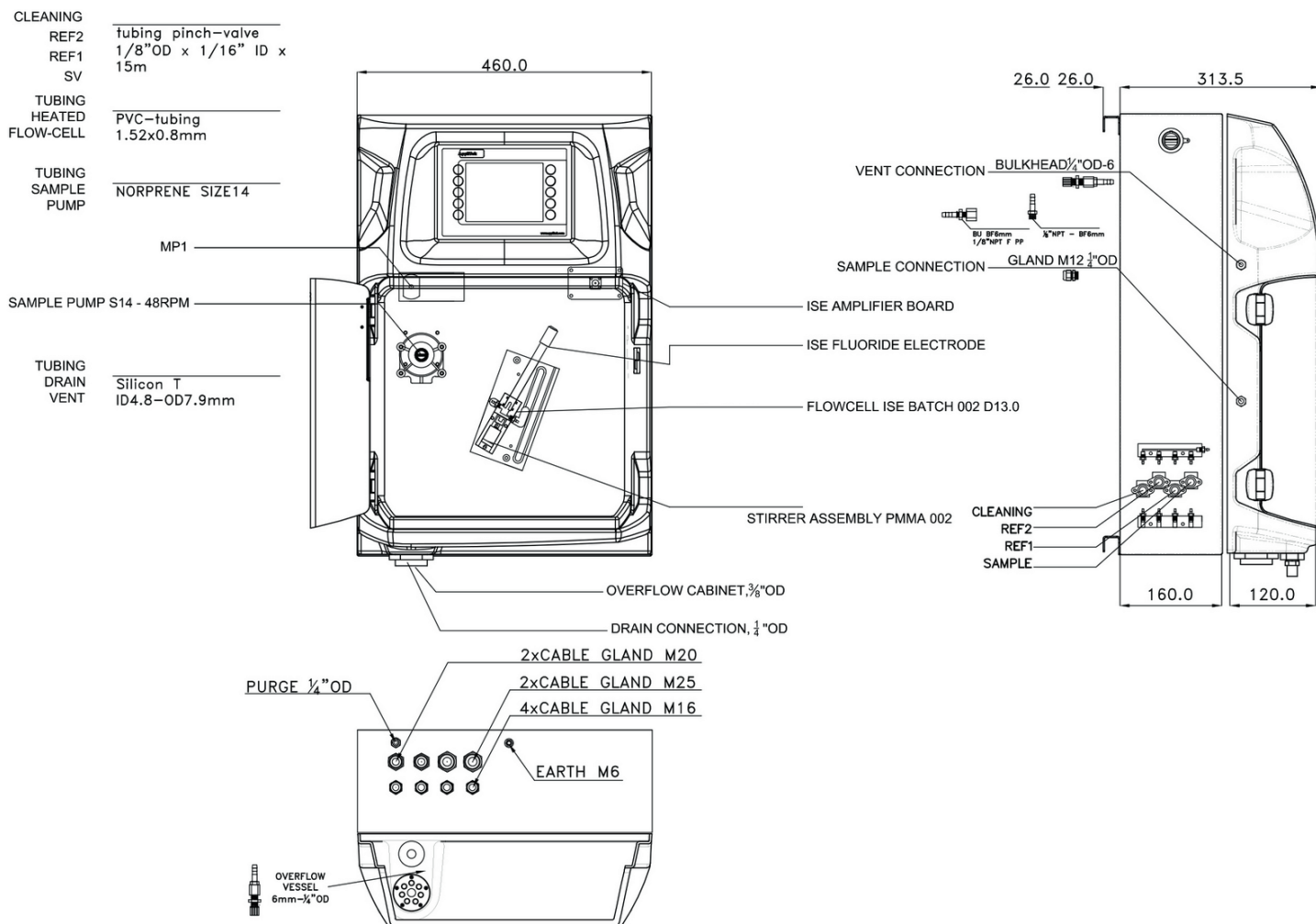
- Smart automatic features
- Control and communication via industrial panel PC
- Analogue and digital output options
- Multiple stream analysis (up to 8 streams)

Technical Data*

Parameter	Fluoride
Measurement method	Discontinuous, direct measurement by combined ion-selective electrode, conform with standard methods EPA 9214 and ASTM D1179
Measuring range	1 - 10 mg/L F ⁻
Precision	Better than 2% full scale range for standard test solutions
Detection limit	≤ 1 mg/L
Interferences	Metal ions like aluminium > 72 mg/L, calcium > 108 mg/L and iron > 150 mg/L. Fats, oil, proteins, surfactants and tar.
Cycle time	5 minutes
Automatic cleaning	Yes
Calibration	Automatic, 2-point; frequency freely programmable
Validation	Automatic; frequency freely programmable
Ambient temperature	10 - 30 °C ± 4 °C deviation at 5 - 95% relative humidity (non-condensing)
Reagent requirements	Keep between 10 - 30 °C
Sample pressure	By external overflow vessel
Flow rate	100 - 300 mL/min
Sample temperature	10 - 30 °C
Sample quality	Maximum particle size 100 µm, < 0.1 g/L; Turbidity < 50 NTU
Power	110 - 240 VAC, 4 A, 50/60 Hz Max. power consumption: 150 VA
Instrument air	Dry and oil free according to ISA-S7.0.01-1996 quality standard for instrument air
Demineralised water	For rinsing
Drain	Atmospheric pressure, vented, min. Ø 64 mm
Earth connection	Dry and clean earth pole with low impedance (< 1 Ohm) using an earth cable of > 2.5 mm ²
Analogue outputs	Active 4 - 20 mA max. 500 Ohm load, standard 1, max. 8 (option)
Digital outputs	Optional: RS232, Modbus (TCP/IP, RS485)
Alarm	1 x malfunctioning, 4 x user-configurable, max. 24 VDC/0.5 A, potential free contacts
Protection class	Analyser cabinet: IP55 / Panel PC: IP65
Material	Hinged part: Thermoform ABS, door: plexiglass Wall section: Galvanised steel, powder coated
Dimensions (H x W x D)	690 mm x 465 mm x 330 mm
Weight	25 kg
Certifications	CE compliant / UL certified

*Subject to change without notice.

Dimensions



Be confident with Hach Service

Start-Up/Commissioning: Our service technicians visit your site and setup instrumentation, provide basic end-user training on operations and maintenance, and validate settings and performance to get you started.

Service Agreement: Hach provides on-site and in-factory repair, preventive maintenance, and calibration programs for your instruments to ensure reliability and instrument up-time. We have services to fit your specific needs.

Order Information - Part Number Configurator

Standard range, 1-10 mg/L F ⁻	EZ3007.99	X	X	X	X	X	2
Measurement range settings / Dilution options							
50% of standard range		C					
Standard range		0					
Customised		Z					
Power supply							
Standard 110 - 240 VAC; 50/60 Hz			0				
Customised			Z				
Number of sample streams							
1 stream				1			
2 streams				2			
3 streams				3			
4 streams				4			
5 streams				5			
6 streams				6			
7 streams				7			
8 streams				8			
Outputs							
1x mA					1		
2x mA					2		
3x mA					3		
4x mA					4		
5x mA					5		
6x mA					6		
7x mA					7		
8x mA					8		
RS232					A		
Modbus TCP/IP					B		
Modbus RS485					C		
1x mA + Modbus RS485					E		
2x mA + Modbus RS485					F		
3x mA + Modbus RS485					G		
4x mA + Modbus RS485					H		
1x mA + Modbus TCP/IP					I		
2x mA + Modbus TCP/IP					J		
3x mA + Modbus TCP/IP					K		
4x mA + Modbus TCP/IP					L		
Customised / combined					Z		
Specials							
No adaption, standard version						0	
Customer specific adaptations required, to specify						S	