

User Instructions

9180100, 9180200, 9180300 and 9180400 Flow Cells

The flow cells are supplied with English or metric fittings.

English: 9180100 for 1 in. NPT sensors, 9180200 for ¾ in. NPT sensors

Metric: 9180300 for 1 in. NPT sensors, 9180400 for ¾ in. NPT sensors

NOTICE

Inlet pressure 50 PSIG (345 kPa) maximum 0–40 °C (32–104 °F). Do not exceed sensor maximum operating pressure and temperature. Maximum flow rate: 2 gal/min (7.5 L/min).

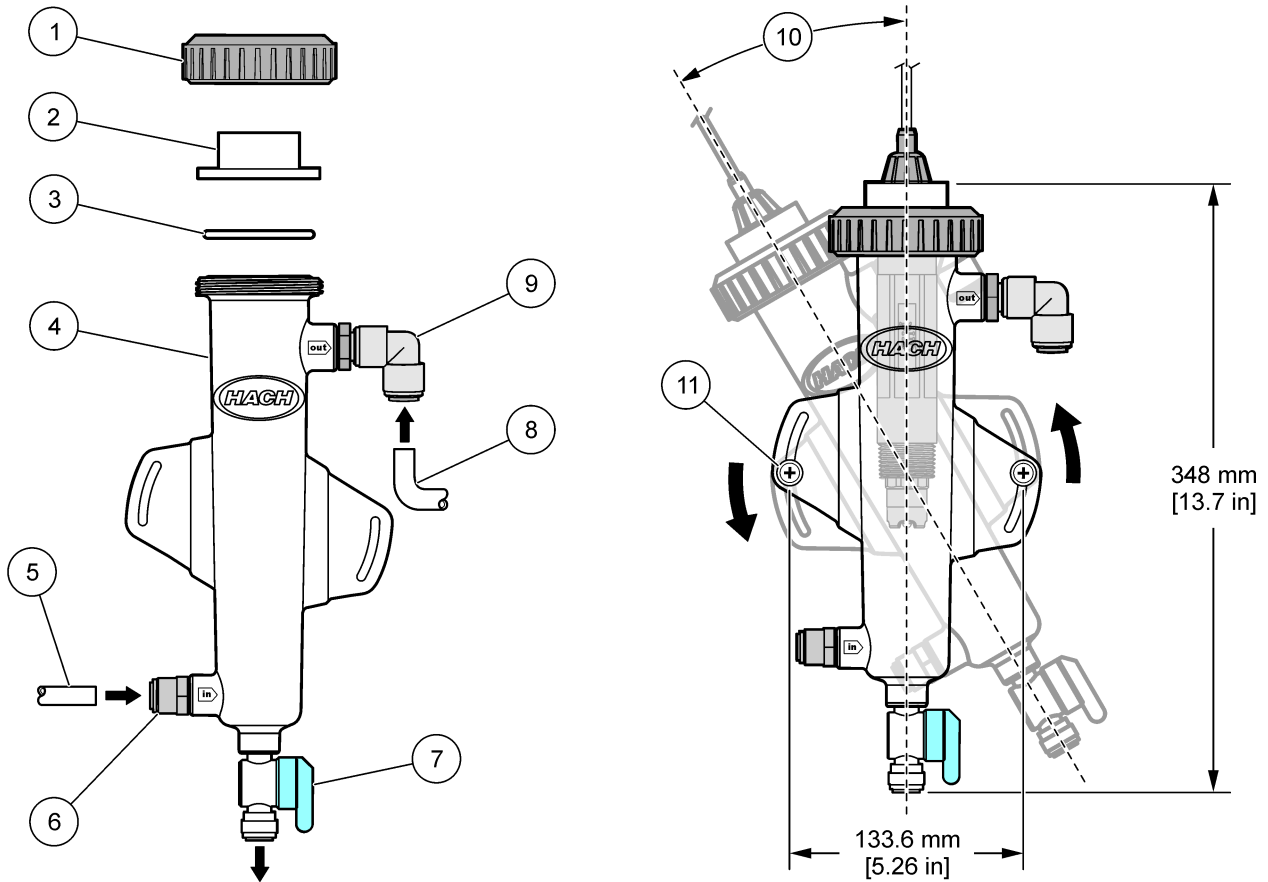
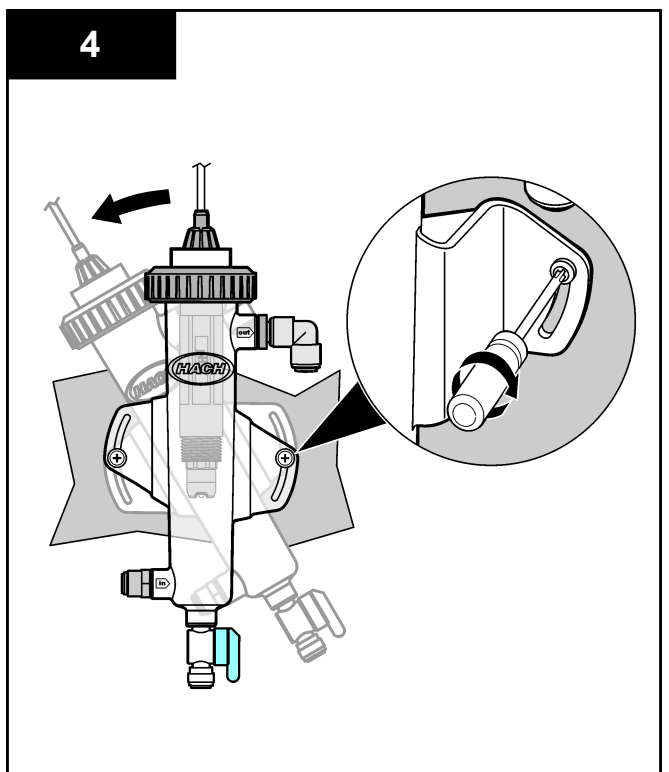
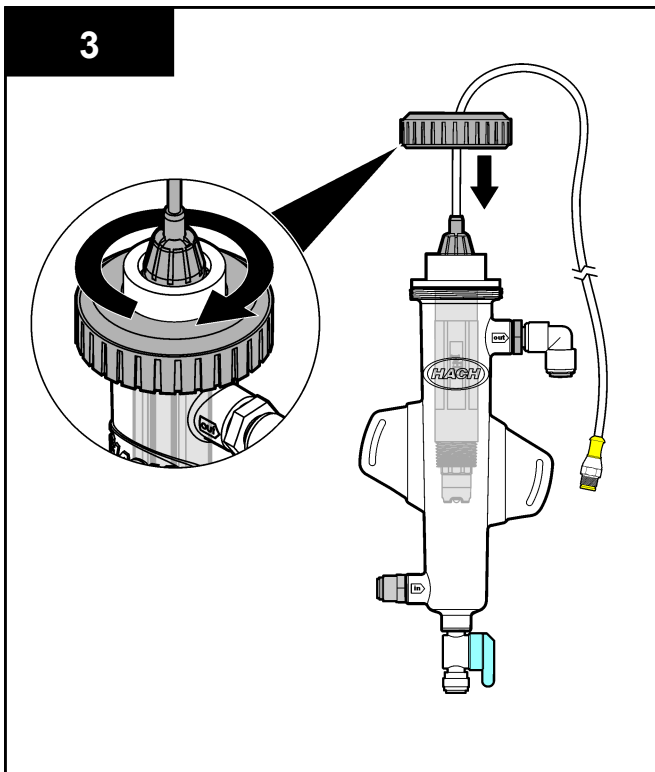
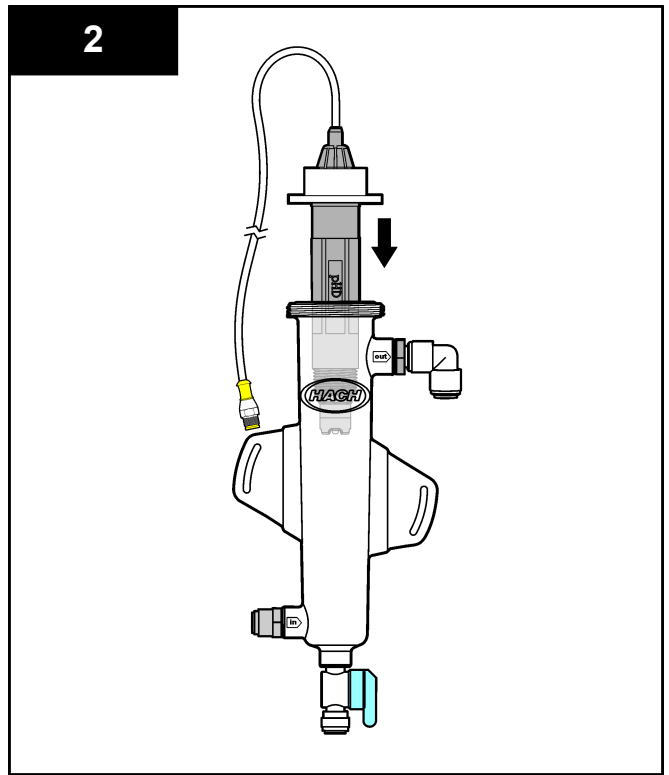
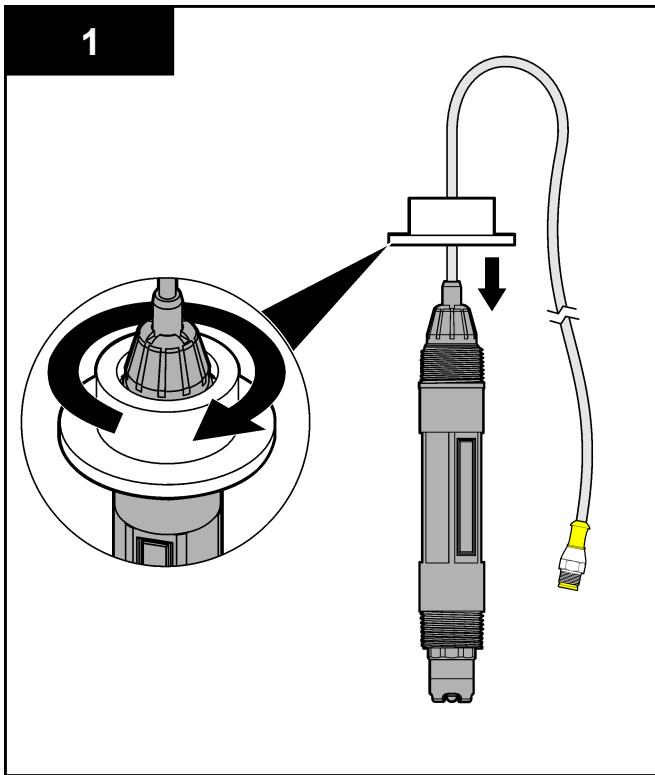


Figure 1 Flow Cell components and features

1	Lock ring (60F2032-001)	7	Speed-fit valve - 3/8 in. OD (9005300)
2	Sealing hub - 1 in. (60F2021-001) Sealing hub - ¾ in. (9159800)	8	English: ½ in. OD tube, customer supplied Metric: 12 mm OD tube, customer supplied
3	O-ring (5H1223)	9	English: Speed-fit elbow fitting - ½ in. OD (9196900) Metric: Speed-fit elbow fitting - 12 mm OD (9197000)
4	Flow cell body (9159700)	10	If air bubbles become trapped below probe sensor, flow cell may be rotated up to 30° from vertical.
5	English: 3/8 in. OD tube, customer-supplied Metric: 10 mm OD tube, customer-supplied	11	Screw (#10-32 or M5) (2x), customer supplied
6	English: Speed-fit fitting - 3/8 in. OD (9159300) Metric: Speed-fit fitting - 10 mm OD (9196500)		



HACH Company World Headquarters

P.O. Box 389
 Loveland, Colorado 80539-0389 U.S.A.
 Tel (800) -227-4224 (U.S.A. only)
 Fax (970) 669-2932
 orders@hach.com • www.hach.com

International customers:
 Tel +001 (970) 669-3050
 Fax +001 (970) 669-2932
 intl@hach.com

